

36" CROWLEY DOUBLE BOWL FARMER SINK

Cat. No
FSSDB2502-SS



W: 36"
D: 20"
H: 10-1/2"

***Please do NOT cut hole without template or actual product.**

Interior Dimensions:

Large

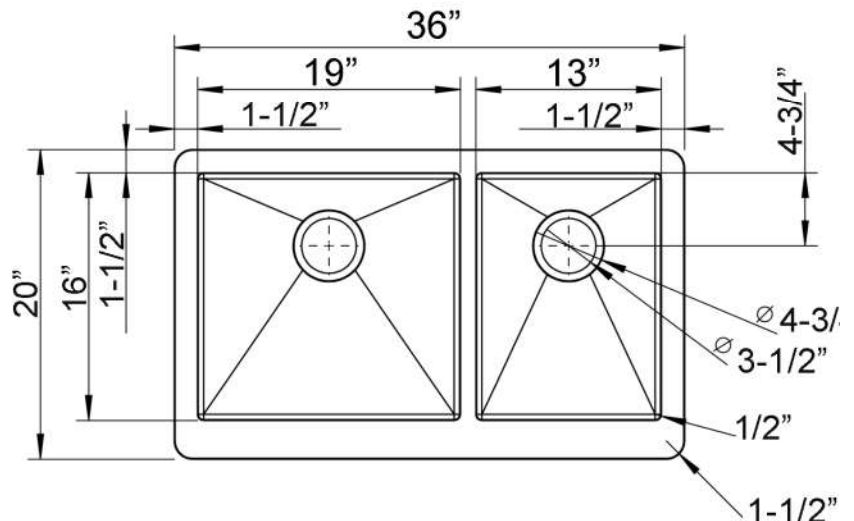
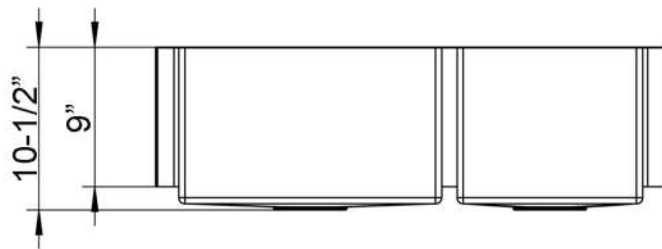
Basin Interior: 19" W x 16" D
Basin Depth: 10"

Small

Basin Interior: 13" W x 16" D
Basin Depth: 10"

Features:

- ▶ Solid 16 gauge, 304 grade metal construction
- ▶ Coating and pads for sound insulation
- ▶ Tight radius corners
- ▶ Template included
- ▶ Easy maintenance with matte finish
- ▶ Rim width is 1-1/2"
- ▶ Drain is 3-1/2"
- ▶ 60/40 offset



Dimensions of fixture are nominal and may vary within the range of tolerances established by ANSI Standard A112.19.2. Dimensions and specifications subject to change without notice.